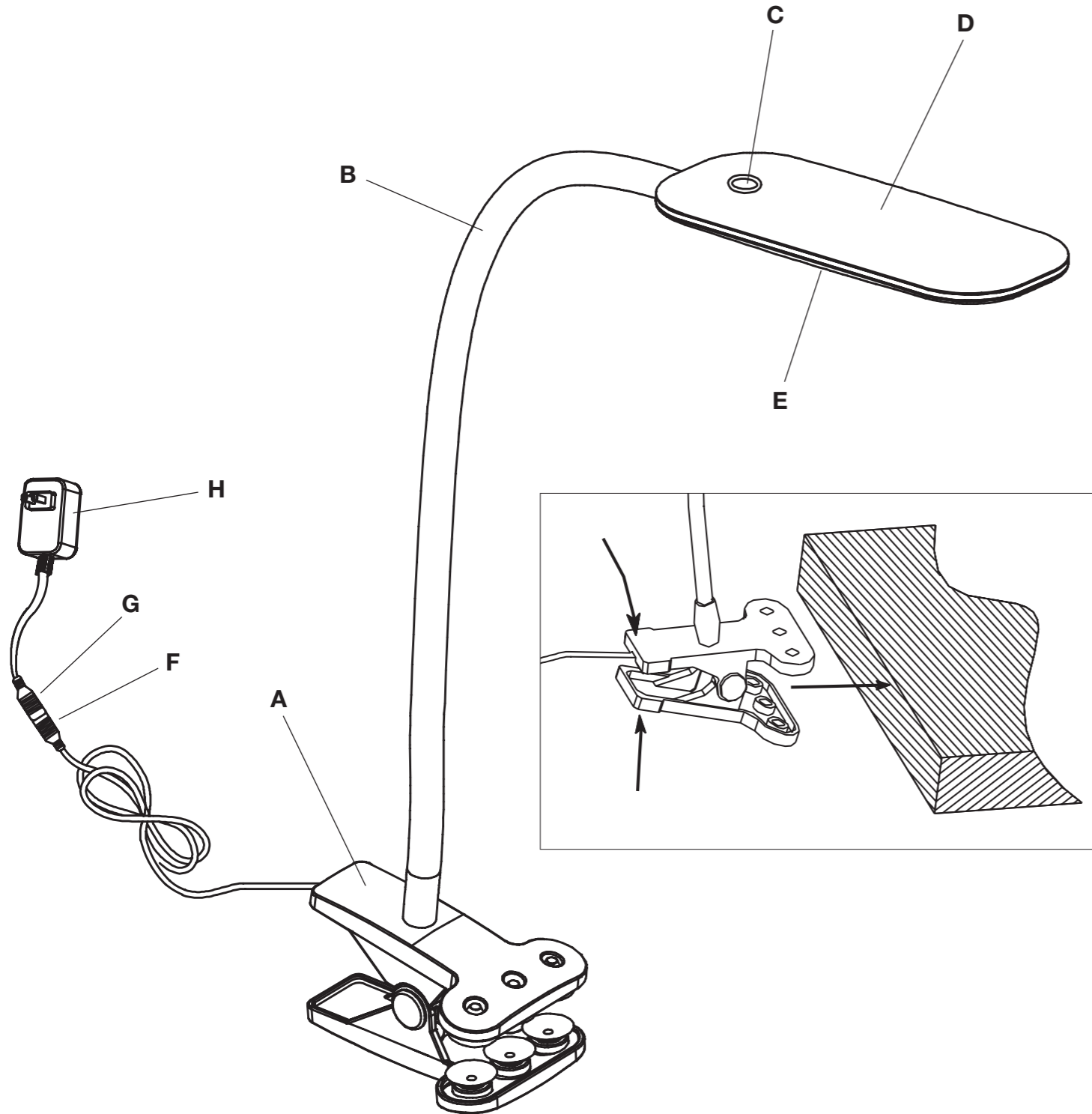




ENGLISH

Flexible Soft Touch LED Clip Lamp



CONGRATULATIONS!

You've purchased the finest in natural lighting technology with your new OttLite® product.

PRODUCT REGISTRATION FORM

Please complete the enclosed Product Registration Form and return it today by mail, or register online by going to: OttLite.com/warranty.

NOTE: THIS UNIT IS FULLY ASSEMBLED

1. Remove lamp from packing for use on a horizontal table.
2. To use on standard table, mount lamp body clip (A) on the preferred edge of the table.
3. Grasp by flex-neck (B) and back of body clamp, squeeze clamp mechanism and slide onto table edge. Clip must fully touch edge of the table.
4. Verify the lamp is secure before using.
5. Connect power adapter input (F) into lamp cord connection (G).
6. Plug the cord into a standard household 120V AC outlet. **Note: Only use with the supplied AC adapter to avoid damage or fire.**
7. Turn the lamp ON & OFF using power switch (C) located on the lower end of shade (D) surface. Power switch (C) is a "touch" switch that controls the dimmer function for 3 levels of brightness.
8. To power LED settings, slightly touch the switch to achieve the following:
 - turn lamp "ON" to lower-brightness; touch the switch "once";
 - for medium-brightness; touch the switch "twice";
 - for high-brightness; touch the switch "three-times";
 - to turn lamp "OFF"; touch the switch "four-times".
9. To position the shade simply bend the flex-neck (B) as needed to point the light. To avoid damaging the lamp, **DO NOT** force the flex-neck into a sharp bend.

SAFETY WARNING: TO REDUCE THE RISK OF FIRE, ELECTRIC SHOCK, OR INJURY TO PERSONS

1. Turn off and **WAIT UNTIL LAMP HEAD (D) and ADAPTER (H) ARE COOL** before handling.
2. The LED panel (E) might get hot after several hours of continuous use, **DO NOT** place your hands directly on LED light panel.
3. Never use with an extension cord unless the plug can be fully inserted into the receptacles in the extension cord.
4. Do not alter the plug.
5. The bulb included with this unit cannot be replaced by the consumer.
6. **INDOOR USE ONLY**

NOTE: The important safety instructions appearing in this instruction sheet are not meant to cover all possible conditions and situations that may occur. It must be understood that common sense, caution, and care must be used with any electrical product.

CAUTION! IF THE EXTERNAL FLEXIBLE CABLE OR CORD OF THIS LUMINAIRE IS DAMAGED, IT SHALL BE EXCLUSIVELY REPLACED BY THE MANUFACTURER OR ITS SERVICE AGENT OR A SIMILAR QUALIFIED PERSON IN ORDER TO AVOID A HAZARD.

CAUTION! THE LIGHT SOURCE OF THIS LUMINAIRE IS NOT REPLACEABLE; WHEN THE LIGHT SOURCE REACHES ITS END OF LIFE THE WHOLE LUMINAIRE SHALL BE REPLACED.

FCC PART 15

Note: This equipment has been tested and found to comply with the limits for a Class B digital device, pursuant to Part 15 of the FCC rules. These limits are designed to provide reasonable protection against harmful interference in a residential installation. This equipment generates, uses and can radiate radio frequency energy and, if not installed and used in accordance with the instructions, may cause harmful interference to radio communications. However, there is no guarantee that the interference will not occur in a particular installation. If this equipment does cause harmful interference to radio or television reception, which can be determined by turning the equipment off and on, the user is encouraged to try to correct the interference by one or more of the following measures:

- Reorient or relocate the receiving antenna.
- Increase the separation between the equipment and receiver.
- Connect the equipment into an outlet on a circuit different from that to which the receiver is connected.
- Consult the dealer or an experienced radio/TV technician for help.

Changes or modifications not expressly approved by the party responsible for compliance could void the user's authority to operate the equipment.

This device complies with Part 15 of the FCC Rules. Operation is subject to the following two conditions:

- (1) this device may not cause harmful interference, and
- (2) this device must accept any interference received, including interference that may cause undesired operation.

CAUTION: Any change or modification to product not expressly recognized by OttLite Technologies voids OttLite's responsibility for proper function of product

CAN ICES-005 (B)/ NMB-005 (B)

AC/DC ADAPTER

Input: AC 100-240V, 50-60Hz, 0.2A

Output: 13V DC 0.4A with Male DC plug

Flexible Soft Touch LED Clip Lamp

R7500C CSR7500C-SHPR

PL-0074C