

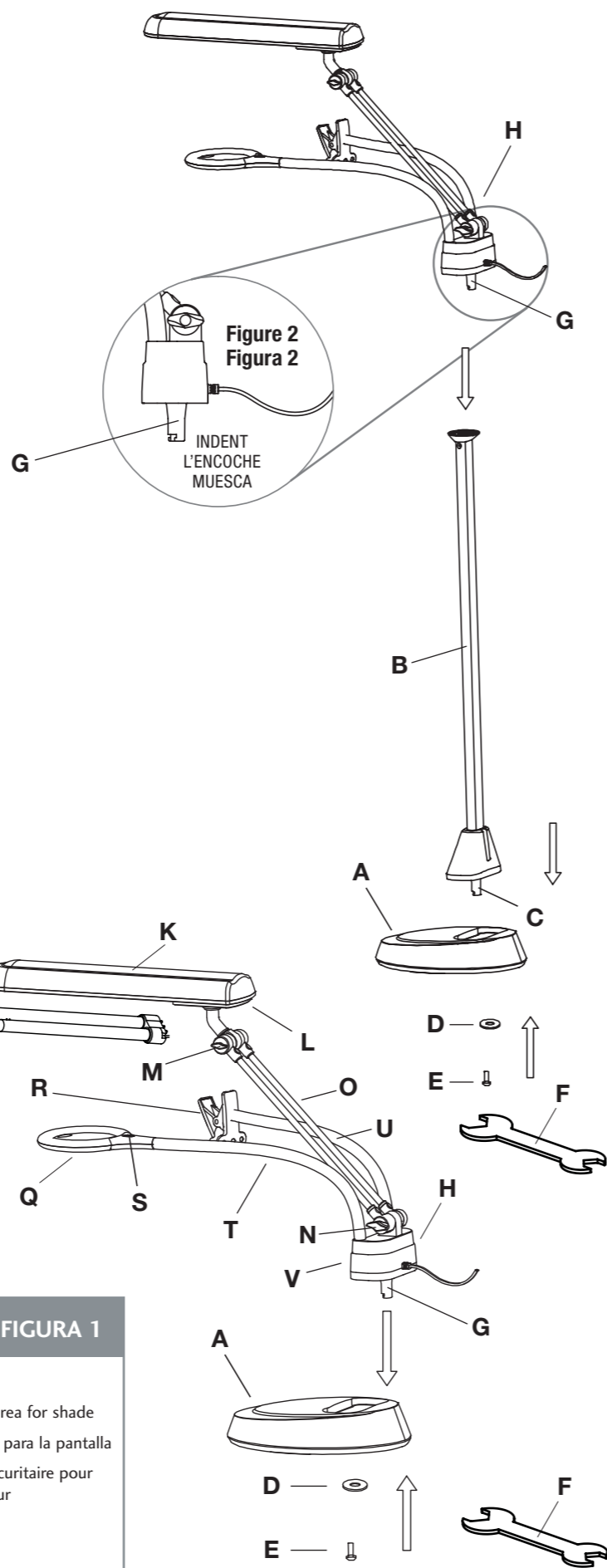
## 24w Ultimate 3-in-1 Craft Lamp

K53CP3 K53CP3-SHPR

FIGURE 1 / FIGURA 1

DO NOT USE SHADE IN THIS AREA  
 NO UTILICE LA PANTALLA EN ESTA AREA  
 NE PAS PLACER L'ABAT-JOUR DANS CETTE ZONE.

Usable area for shade  
 Area útil para la pantalla  
 Zone sécuritaire pour l'abat-jour



**CONGRATULATIONS!**  
 You've purchased the finest in natural lighting technology with your new OttLite® product.

**PRODUCT REGISTRATION FORM**  
 Please complete the enclosed Product Registration Form and return it today by mail, or register online by going to: [www.OttLite.com/warranty](http://www.OttLite.com/warranty).

**WARNING: To prevent electric shock, make sure the lamp is not plugged in until all assembly steps are complete.**

**CAUTION: TIP HAZARD**  
**DO NOT MOVE SHADE OR ACCESSORIES outside of the shaded area as shown in Figure 1. Shade and accessories must be kept within the shaded area and must align in the same forward-facing direction as the base.**

**LAMP ASSEMBLY**  
 Your Ultimate 3-in-1 Craft Lamp can be used as a Floor lamp, Table lamp or Clamp-On lamp. For proper function of lamp see **Operation and Tube Insertion/Replacement**.

- FLOOR USE**
1. Remove lamp from packing placing the base (A) on a flat steady surface (the floor).
  2. Remove bolt (E), flat washer (D), and wrench (F) from plastic bag.
  3. Firmly insert dowel (C) of pole (B) into the hole located in the base (A).
  4. Insert the bolt (E) through flat washer (D) and finally into the recessed hole in the bottom of the base (A), as indicated in the diagram.
  5. Using the enclosed wrench (F), tighten the bolt (E) securely by turning in a clockwise direction.
  6. Assemble shade assembly (H) by inserting dowel (G) into the hole of upper pole (B). **IMPORTANT:** To lock dowel (G) into upper pole (B) make sure indent located in the front of dowel is "coupled" with inner "tab". The shade assembly (H) should be flush with upper pole (B) and free to rotate. Dowel indentation can be easily seen in Figure 2.

- TABLE USE**
1. Remove lamp from packing placing the base (A) on a flat steady surface (the table).
  2. Remove bolt (E), flat washer (D), and wrench (F) from plastic bag.
  3. Assemble shade assembly (H) by inserting dowel (G) into the hole of base (A).
  4. Insert the bolt (E) through flat washer (D) and finally into the recessed hole in the bottom of the base (A), as indicated in the diagram.
  5. Using the enclosed wrench (F), tighten the bolt (E) securely by turning in a clockwise direction.

- CLAMP-ON USE**
1. Attach clamp (J) to table, shelf or other strong, solid surface. Secure the clamp (J) by turning screw (W) clockwise by hand until clamp is fastened tightly.
  2. Assemble shade assembly (H) by inserting dowel (G) into the hole of the clamp (J). The shade assembly (H) should be flush with clamp (J) and free to rotate.

- Operation**
1. Make sure the lamp is not plugged into an electrical socket.
  2. If the lamp has been in use, allow it to cool for approximately five minutes before proceeding.
  3. To install a tube (P), follow **TUBE INSERTION/REPLACEMENT** directions.
  4. To position shade (K), turn wingnut (M, N) counter-clockwise to loosen. Adjust shade (K) to desired position and tighten wingnut (M, N) by turning clockwise.

- DO NOT** move arm (O) with wingnuts tightened and **DO NOT** overtighten wingnuts.
5. Shade (K) can be rotated side to side about its neck. **DO NOT** attempt to rotate shade 360 degrees.
  6. This lamp includes an LED lighted magnifier (Q) and clip (R). Adjust position of magnifier and clip by grasping flex-neck (T, U) and reposition.
  7. To prevent tipping when using Table or Floor mount, keep weight of shade assembly, LED lighted magnifier, and clip over the long part of the base. See Figure 1.
  8. Turn the lamp ON or OFF by depressing the switch (L) located on the underside of shade (K).
  9. Turn the LED lighted magnifier ON or OFF by sliding switch (S) UP or DOWN.

10. The auxiliary outlet (V) located in the base of the shade assembly is available for use with a two prong, polarized 120V tool of less than 700 watts. See Figure 3. Outlet (V) is not controlled by the lamp switch and can be used when the lamp is turned OFF.

**CAUTION:** Risk of fire! Never place the magnifier attachment under direct sunlight.

- TUBE INSERTION/REPLACEMENT**
1. Make sure the lamp is not plugged into an electrical socket.
  2. If the lamp has been in use, allow it to cool for approximately five minutes before proceeding.
  3. To install a tube (P) in the socket, grasp the tube firmly in your hand. Clip the tube into the shade clip and push the tube straight into the socket until it "snaps" into place. **DO NOT** apply pressure to the glass end of the tube.
  4. To remove a tube (P) already installed in the lamp, grasp the tube firmly in your hand and angle it slightly out of the shade clip approximately 15 degrees and pull it straight out of the socket. **DO NOT** twist or turn the tube while removing it from the socket.
- BE CAREFUL TO AVOID TUBE BREAKAGE FROM HITTING THE TUBE ON THE SHADE END.**
5. Plug the lamp into a standard 120V outlet.
  6. Turn lamp ON or OFF by depressing switch (L).

Please note that in operation, OttLite® tubes are not dimmable.

Enjoy your OttLite® 24w Ultimate 3-in-1 Craft Lamp!

*This lighting system is designed for use with OttLite® type Ⓞ (style number PL24-C). Use of other products voids the warranty and may result in damage to the lighting system.*

## CAUTION! IMPORTANT SAFETY INSTRUCTIONS:

THIS PORTABLE LAMP HAS A POLARIZED PLUG (ONE BLADE IS WIDER THAN THE OTHER) AS A FEATURE TO REDUCE THE RISK OF ELECTRIC SHOCK. THIS PLUG WILL FIT IN A POLARIZED OUTLET ONLY ONE WAY. IF THE PLUG DOES NOT FIT FULLY IN THE OUTLET, REVERSE THE PLUG. IF IT STILL DOES NOT FIT, CONTACT A QUALIFIED ELECTRICIAN. NEVER USE WITH AN EXTENSION CORD UNLESS PLUG CAN BE FULLY INSERTED. DO NOT ALTER THE PLUG.

**CAUTION!** TO PREVENT ELECTRIC SHOCK, MATCH WIDE BLADE OF PLUG TO WIDE SLOT, FULLY INSERT.

This product complies with Part 18 of FCC Rules, but may cause interference to radios, televisions, wireless telephones, and remote controls. Avoid placing this product near these devices. If interference occurs, move the product away from the device or plug either into a different outlet. Do not install this product near maritime safety equipment or other critical navigation or communication equipment operating between 0.45-30 MHz

*This Class B RFLD complies with Canadian ICES-005*

