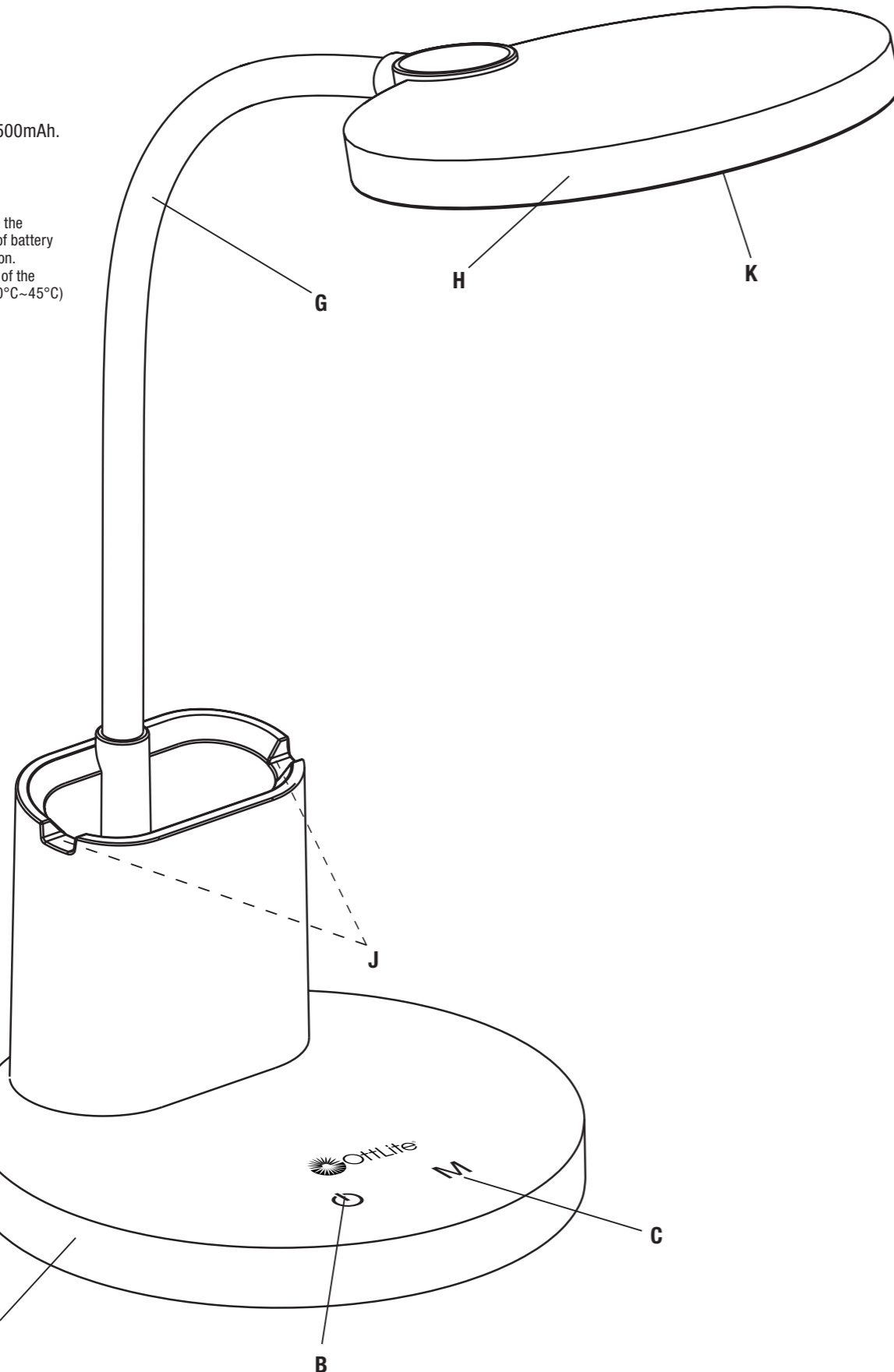
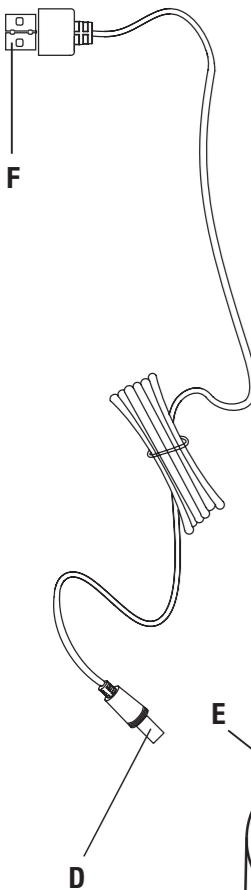


Li-ion Battery - Capacity: 1500mAh.
Output Voltage: 3.7V

NOTICE:

Never disassemble by yourself. Use the authorized charger only. Exposure of battery to open flames could cause explosion. Do not expose the battery pack out of the temperature range 32°F to 113°F (0°C~45°C)

MADE IN CHINA



CONGRATULATIONS! You've purchased the finest in natural lighting technology with your new OttLite® product.

PRODUCT REGISTRATION FORM

Please complete the enclosed Product Registration Form and return it today by mail, or register online by going to: OttLite.com/warranty

WARNING: To prevent electric shock, make sure the lamp is not plugged in until all steps are complete.

NOTE: THIS UNIT IS FULLY ASSEMBLED

1. Remove lamp from packing, placing lamp body base (A) flat on a steady surface.
2. Turn the lamp ON/OFF by using power switch (B) located on top of base (A).
3. Press and hold switch "M" (C) to adjust brightness until desired brightness level is achieved, then release.
4. Touch switch "M" (C) to change the color temperature of the light. The lamp has 3 color modes.
5. **PLEASE NOTE:** This lamp will function while the USB charging cable is plugged into a power source OR on its own internal battery. When using on battery power and the light starts to dim, this indicates that the internal battery needs to be recharged.
6. To recharge the battery, plug adapter input (D) into connector (E) in the rear-bottom of the lamp. Then plug USB cable (F) into a standard 5V, 2A USB power source such as a computer USB Port or a USB power adapter (not included).
7. To reposition the light, hold the lamp base (A) steady and grasp either flex-neck (G) or shade (H) depending on needed adjustment. **DO NOT FORCE** the shade or lamp body outside allowable adjustable range as excessive adjustment may cause damage.
8. This lamp includes an integrated phone holder. To use, place phone horizontally into slots (J) with the phone's screen facing out.

SAFETY WARNING: TO REDUCE THE RISK OF FIRE, ELECTRIC SHOCK, OR INJURY TO PERSONS

1. Turn lamp off and **WAIT UNTIL LAMP HEAD IS COOL** before handling.
2. The LED panel (K) might get hot after several hours of continuous use **DO NOT** place your hands directly on LED light panel.
3. The lamp head included with this unit cannot be replaced by the consumer.
4. **INDOOR USE ONLY.**

NOTE: The important safety instructions appearing in this instruction sheet are not meant to cover all possible conditions and situations that may occur. It must be understood that common sense, caution, and care must be used with any electrical product.

CAUTION! THE LIGHT SOURCE OF THIS LUMINAIRE IS NOT REPLACEABLE; WHEN THE LIGHT SOURCE REACHES ITS END OF LIFE THE WHOLE LUMINAIRE SHALL BE REPLACED.

CAUTION: Any change or modification to product not expressly recognized by OttLite Technologies voids OttLite's responsibility for proper function of product.

FCC PART 15

Note: This equipment has been tested and found to comply with the limits for a Class B digital device, pursuant to Part 15 of the FCC rules. These limits are designed to provide reasonable protection against harmful interference in a residential installation. This equipment generates, uses and can radiate radio frequency energy and, if not installed and used in accordance with the instructions, may cause harmful interference to radio communications. However, there is no guarantee that the interference will not occur in a particular installation. If this equipment does cause harmful interference to radio or television reception, which can be determined by turning the equipment off and on, the user is encouraged to try to correct the interference by one or more of the following measures:

- Reorient or relocate the receiving antenna.
- Increase the separation between the equipment and receiver.
- Connect the equipment into an outlet on a circuit different from that to which the receiver is connected.
- Consult the dealer or an experienced radio/TV technician for help.

Changes or modifications not expressly approved by the party responsible for compliance could void the user's authority to operate the equipment.

This device complies with Part 15 of the FCC Rules. Operation is subject to the following two conditions:

- (1) this device may not cause harmful interference, and
- (2) this device must accept any interference received, including interference that may cause undesired operation.

CAN ICES-005 (B)/NMB-005 (B)

Specifications

USB: 5V, 2A / Input power: 5V, 2A

Built-in Lithium Battery: 3.7V / 1500mAh (power for LED light)

Accessories:

- USB charging cable