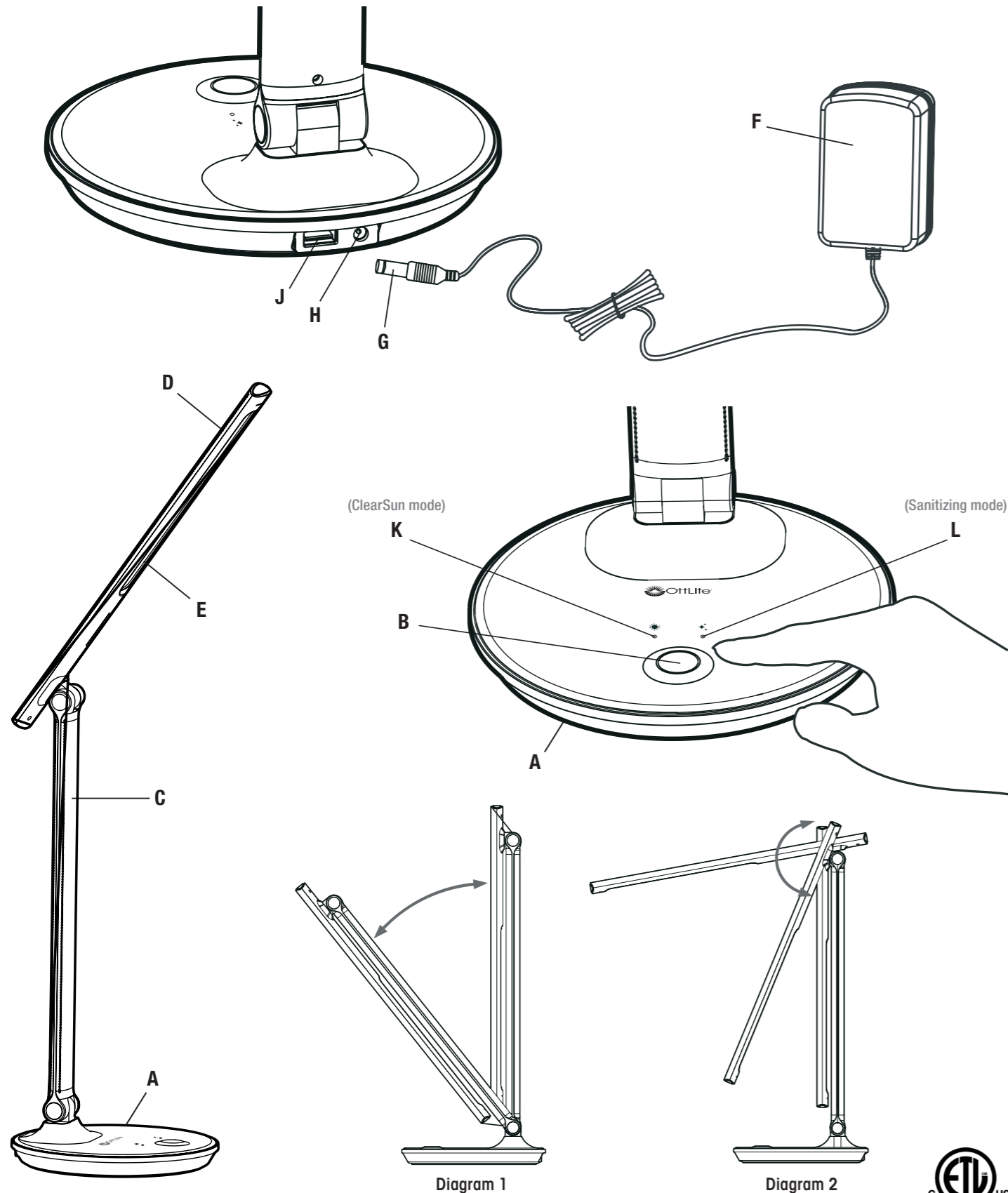


# GOOD HOUSEKEEPING

powered by OttLite®



## Sanitizing Desk Lamp with USB charging

SCAY000GH

## ENGLISH

### Sanitizing Desk Lamp with USB Charging

#### CONGRATULATIONS!

You've purchased the finest in natural lighting technology with your new OttLite® product.

#### PRODUCT REGISTRATION FORM

Please complete the enclosed Product Registration Form and return it today by mail or register online by going to: [OttLite.com/warranty](http://OttLite.com/warranty).

**WARNING:** To prevent electric shock, make sure the lamp is not plugged in until all steps are complete.

#### NOTE: THIS UNIT IS FULLY ASSEMBLED

1. Remove lamp from packing, placing lamp body base (A) flat on a steady surface.
2. Connect power adapter input (G) into connector (H) in the rear-bottom of the lamp.
3. Plug the power adapter (F) into a standard household 120V AC outlet. **Note: Only use with the supplied power adapter to avoid damage or fire.**
4. Power switch (B) is a "touch" switch that controls **ON/OFF** power, the LED brightness settings, and the mode functions of the lamp.
5. To turn the lamp ON, touch (B) once. To adjust brightness touch (B) again. The lamp has 3 brightness settings and then the fourth touch will turn the light OFF.
6. Touch and hold (B) to change light modes. The three modes are; ClearSun LED, Sanitizing, and ClearSun + Sanitizing. ClearSun + Sanitizing mode utilizes both the ClearSun LEDs and Sanitizing LEDs simultaneously to provide continuous cleaning while using the lamp. **NOTE:** The active mode will be indicated by the light next to the icons. If indicator light (K) is illuminated, ClearSun mode is on. If indicator light (L) is illuminated, Sanitizing mode is on. If both indicator lights (K and L) are illuminated, ClearSun + Sanitize mode is on.
7. To reposition the light, hold base (A) steady and grasp either lamp body (C) or shade (D) depending on needed adjustment.
8. Refer to **Diagrams 1 and 2** for lamp maximum adjustment range. **NOTE: DO NOT FORCE the shade outside allowable adjustable range as excessive adjustment may cause damage.**

**CAUTION!** DEVICE MAY BECOME WARM DURING CHARGING. THIS IS NORMAL AND PART OF THE CHARGING PROCESS. CHARGING TIME VARIES BY DEVICE MODEL.

#### SAFETY WARNING: TO REDUCE THE RISK OF FIRE, ELECTRIC SHOCK, OR INJURY TO PERSONS

1. Turn lamp off and **WAIT UNTIL LAMP HEAD (D) AND ADAPTER (F) ARE COOL** before handling.
2. The LED panel (E) might get hot after several hours of continuous use. **DO NOT** place your hands directly on LED light panel.
3. Never use with an extension cord unless the plug can be fully inserted into the receptacles in the extension cord.
4. Do not alter the plug.
5. The lamp head included with this unit cannot be replaced by the consumer.
6. **INDOOR USE ONLY.**

**NOTE:** The important safety instructions appearing in this instruction sheet are not meant to cover all possible conditions and situations that may occur. It must be understood that common sense, caution, and care must be used with any electrical product.

**CAUTION!** IF THE EXTERNAL FLEXIBLE CABLE OR CORD OF THIS LUMINAIRE IS DAMAGED, IT SHALL BE EXCLUSIVELY REPLACED BY THE MANUFACTURER OR ITS SERVICE AGENT OR A SIMILAR QUALIFIED PERSON IN ORDER TO AVOID A HAZARD. **INDOOR USE ONLY.**

**CAUTION!** THE LIGHT SOURCE OF THIS LUMINAIRE IS NOT REPLACEABLE; WHEN THE LIGHT SOURCE REACHES ITS END OF LIFE THE WHOLE LUMINAIRE SHALL BE REPLACED.

## FCC PART 15

Note: This equipment has been tested and found to comply with the limits for a Class B digital device, pursuant to Part 15 of the FCC rules. These limits are designed to provide reasonable protection against harmful interference in a residential installation. This equipment generates, uses and can radiate radio frequency energy and, if not installed and used in accordance with the instructions, may cause harmful interference to radio communications. However, there is no guarantee that the interference will not occur in a particular installation. If this equipment does cause harmful interference to radio or television reception, which can be determined by turning the equipment off and on, the user is encouraged to try to correct the interference by one or more of the following measures:

- Reorient or relocate the receiving antenna.
- Increase the separation between the equipment and receiver.
- Connect the equipment into an outlet on a circuit different from that to which the receiver is connected.
- Consult the dealer or an experienced radio/TV technician for help.

Changes or modifications not expressly approved by the party responsible for compliance could void the user's authority to operate the equipment.

This device complies with Part 15 of the FCC Rules. Operation is subject to the following two conditions:

- (1) this device may not cause harmful interference, and
- (2) this device must accept any interference received, including interference that may cause undesired operation.

**CAUTION:** Any change or modification to product not expressly recognized by OttLite voids OttLite's responsibility for proper function of product.

#### CAN ICES-005 (B)/NMB-005 (B)

#### POWER ADAPTER SPECIFICATION:

Input: AC 100-240V, 50/60 Hz, 0.8A  
Output: 12V DC, 2.0A with a Male DC Plug

THIS LAMP CONTAINS a 5V, 2.1A USB output port (J) located on the bottom rear of lamp. USB port can charge items such as tablets, cellular phones, etc.



H6SC

