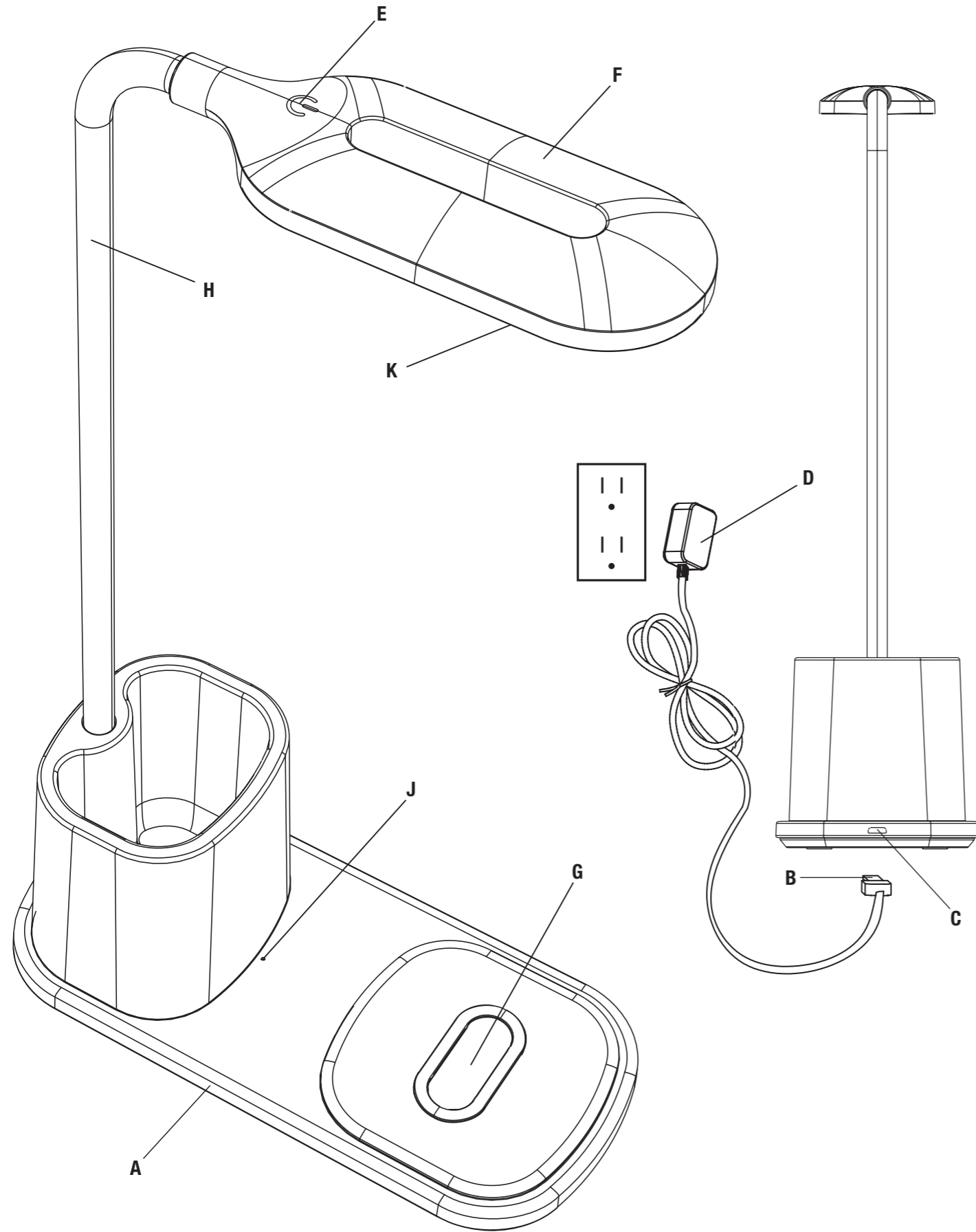




ENGLISH

Organizer LED Desk Lamp with Wireless Charging



CONGRATULATIONS! You've purchased the finest in natural lighting technology with your new OttLite® product.

PRODUCT REGISTRATION FORM

Please complete the enclosed Product Registration Form and return it today by mail, or register online by going to: OttLite.com/warranty

WARNING: To prevent electric shock, make sure the lamp is not plugged in until all steps are complete.

NOTE: THIS UNIT IS FULLY ASSEMBLED

1. Remove lamp from packing, placing lamp body base (A) flat on a steady surface.
2. Connect power adapter input (B) into connector (C) in the rear-bottom of the lamp.
3. Plug the power adapter (D) into a standard household 120V AC outlet. **Note: Only use with the supplied power adapter to avoid damage or fire.**
4. Turn the lamp ON/OFF by using power switch (E) located on top of shade (F).
5. This lamp provides three color modes. To adjust lighting color mode, slightly touch switch (E) to achieve the following:
 - Turn lamp "ON" to 1st color mode; touch the switch "once";
 - for 2nd color mode; touch the switch "two-times";
 - for 3rd color mode; touch the switch "three-times";
 - to turn lamp "OFF"; touch the switch "four-times".
6. To adjust the brightness, slightly "press and hold" switch (E) until desired brightness setting is achieved.
7. Wireless charger (G) is located in the center of base (A). See **Wireless Charging Instructions** section for details.
8. To reposition the light, hold the lamp base (A) steady and grasp either flex-neck (H) or shade (F) depending on needed adjustment. **DO NOT FORCE** the shade or lamp body outside allowable adjustable range as excessive adjustment may cause damage.

WIRELESS CHARGING INSTRUCTIONS:

Wireless charging requires a compatible device.

To wirelessly charge a device, perform the following:

- When lamp is first plugged in, wireless charging indicator light (J) will turn **BLUE**. After 2-3 seconds indicator light (J) will then turn **RED**, indicating wireless charger is ready and in standby mode.
- Place the device face up on the middle of the wireless charging area (G).
- When the device is centered on the wireless charging area (G), indicator light (J) will turn **BLUE**, indicating the device is charging properly. **NOTE:** Check the device periodically to determine if device is fully charged, as lamp DOES NOT give any indication of when device is fully charged.

NOTE: If wireless charging indicator light (J) is illuminated **RED**, this indicates the wireless charger is in standby mode and the device needs to be properly centered.

CAUTION! DEVICE MAY BECOME WARM DURING CHARGING. THIS IS NORMAL AND PART OF THE PROCESS. CHARGING TIMES VARY BY DEVICE.

SAFETY WARNING: TO REDUCE THE RISK OF FIRE, ELECTRIC SHOCK, OR INJURY TO PERSONS

1. Turn lamp off and **WAIT UNTIL LAMP HEAD IS COOL** before handling.
2. The LED panel (K) might get hot after several hours of continuous use **DO NOT** place your hands directly on LED light panel.
3. Never use with an extension cord unless the plug can be fully inserted into the receptacles in the extension cord.
4. Do not alter the plug.
5. The lamp head included with this unit cannot be replaced by the consumer.
6. INDOOR USE ONLY.

NOTE: The important safety instructions appearing in this instruction sheet are not meant to cover all possible conditions and situations that may occur. It must be understood that common sense, caution, and care must be used with any electrical product.

CAUTION! IF THE EXTERNAL FLEXIBLE CABLE OR CORD OF THIS LUMINAIRE IS DAMAGED, IT SHALL BE EXCLUSIVELY REPLACED BY THE MANUFACTURER OR ITS SERVICE AGENT OR A SIMILAR QUALIFIED PERSON IN ORDER TO AVOID A HAZARD. INDOOR USE ONLY.

CAUTION! THE LIGHT SOURCE OF THIS LUMINAIRE IS NOT REPLACEABLE; WHEN THE LIGHT SOURCE REACHES ITS END OF LIFE THE WHOLE LUMINAIRE SHALL BE REPLACED.

CAUTION: Any change or modification to product not expressly recognized by OttLite Technologies voids OttLite's responsibility for proper function of product.

FCC PART 15

Note: This equipment has been tested and found to comply with the limits for a Class B digital device, pursuant to Part 15 of the FCC rules. These limits are designed to provide reasonable protection against harmful interference in a residential installation. This equipment generates, uses and can radiate radio frequency energy and, if not installed and used in accordance with the instructions, may cause harmful interference to radio communications. However, there is no guarantee that the interference will not occur in a particular installation. If this equipment does cause harmful interference to radio or television reception, which can be determined by turning the equipment off and on, the user is encouraged to try to correct the interference by one or more of the following measures:

- Reorient or relocate the receiving antenna.
- Increase the separation between the equipment and receiver.
- Connect the equipment into an outlet on a circuit different from that to which the receiver is connected.
- Consult the dealer or an experienced radio/TV technician for help.

Changes or modifications not expressly approved by the party responsible for compliance could void the user's authority to operate the equipment.

This device complies with Part 15 of the FCC Rules. Operation is subject to the following two conditions:

- (1) this device may not cause harmful interference, and
- (2) this device must accept any interference received, including interference that may cause undesired operation.

FCC/IC RF RADIATION EXPOSURE STATEMENT CAUTION:

To maintain compliance with the FCC's RF exposure guidelines, place the product at least 20cm from nearby persons.

To maintain compliance with the IC RF exposure guidelines, place the product at least 10cm from nearby persons.

Pour maintenir la conformité aux directives d'exposition RF, placer le produit à au moins 10 cm des personnes à proximité.

IC CANADA

This device contains licence-exempt transmitter(s)/receiver that comply with Innovation, Science and Economic Development Canada's licence-exempt RSS(s). Operation is subject to the following two conditions:

1. This device may not cause interference.
2. This device must accept any interference, including interference that may cause undesired operation of the device.

L'émetteur/récepteur exempt de licence contenu dans le présent appareil est conforme aux CNR d'Innovation, Sciences et Développement économique Canada applicables aux appareils radio exempts de licence. L'exploitation est autorisée aux deux conditions suivantes :

1. L'appareil ne doit pas produire de brouillage;
2. L'appareil doit accepter tout brouillage radioélectrique subi, même si le brouillage est susceptible d'en compromettre le fonctionnement.

CAN RSS-216/CNR-216

CAN ICES-005 (B)/NMB-005 (B)

POWER ADAPTER SPECIFICATION:

Input: AC 100-240V, 50/60 Hz, 0.4A
Output: 5V DC, 2A with a Male DC Plug

WIRELESS CHARGER SPECIFICATION:

Output: up to 5 watts depending on device

Organizer LED Desk Lamp with Wireless Charging

7QC00W

